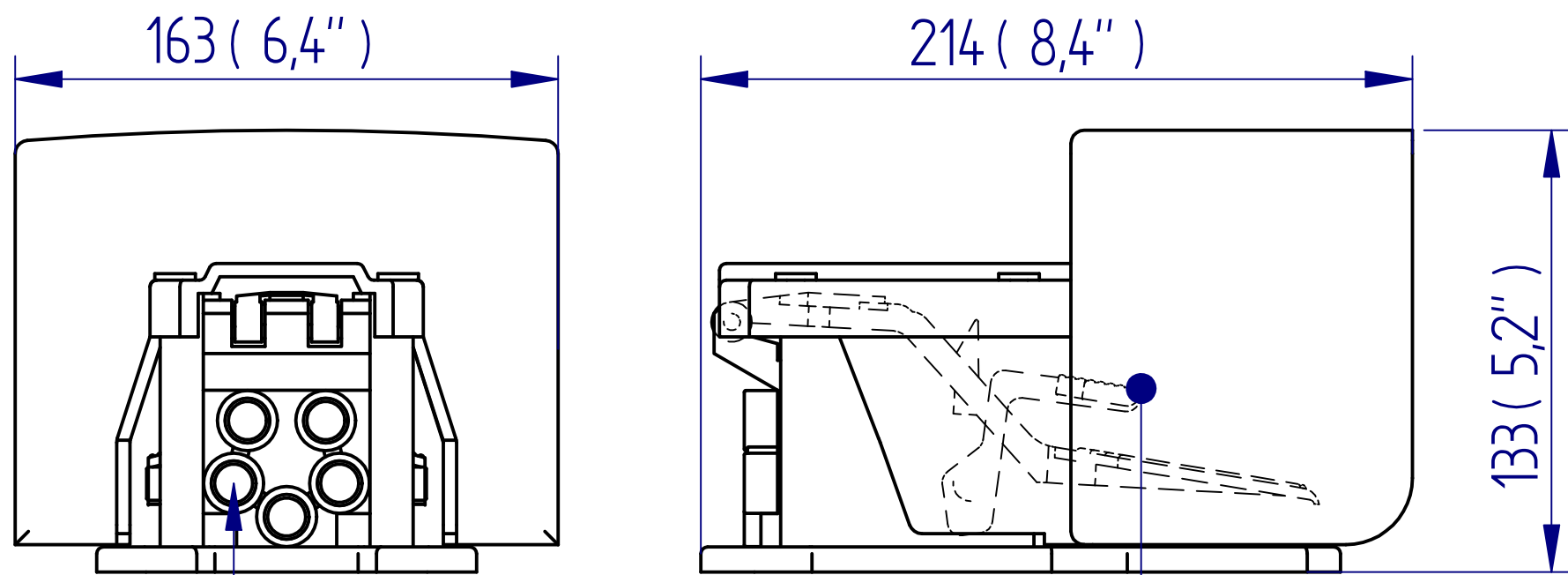
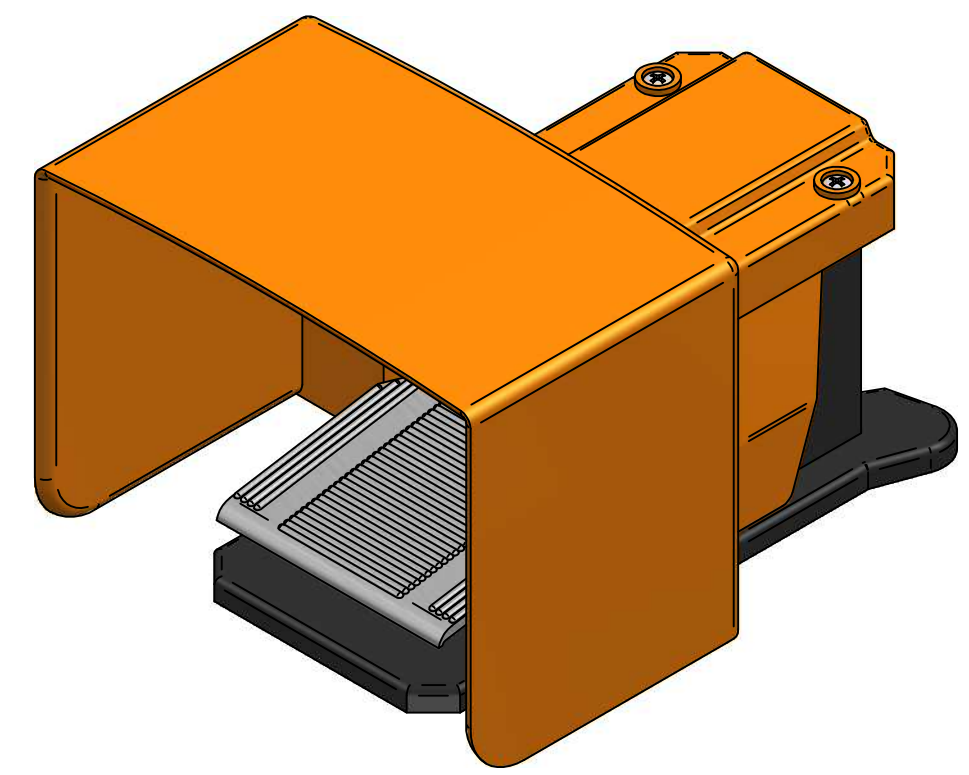


ALL DIMENSIONS ARE IN MILLIMETRES
FOLLOWED BY INCHES: MM (IN")



5x PIPE THREAD Rp 1/4-19 - 9 DEEP

LOCKING FOOTSWITCH
(only for Mec205-2)



PSV11024-03 Footswitch (Locking)
PSV11024-04 Footswitch

DRAWING APPLIES TO PT NO:
PSV11024-03 & PSV11024-04

1:2 @ A3

