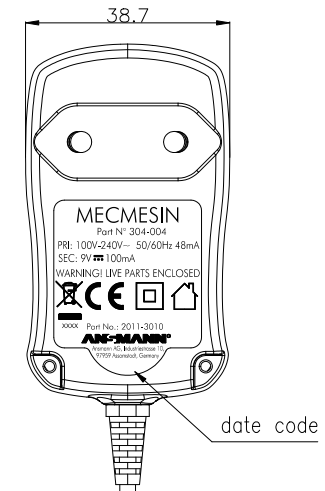
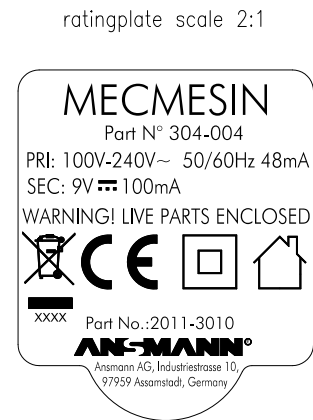
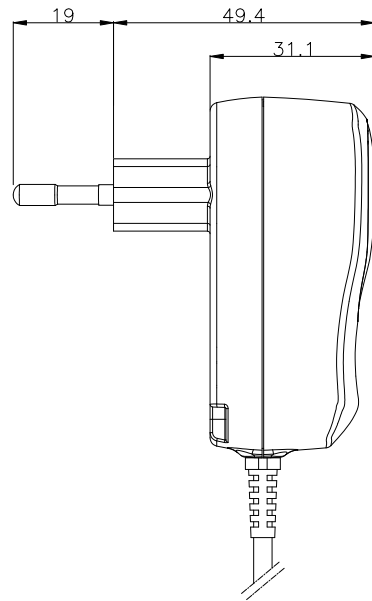
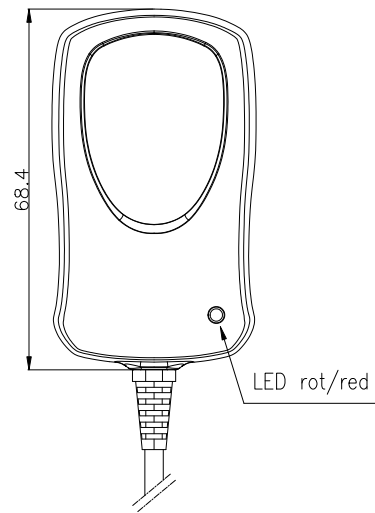
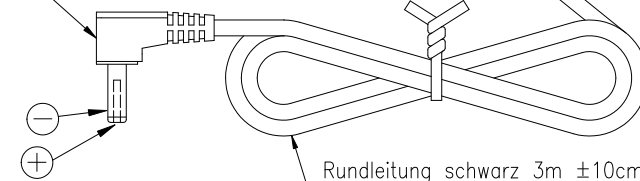


The supplier acknowledges that, with the acceptance of the drawing, he is in a position to manufacture the illustrated part in accordance with the drawing in reproducible form and series production. Through the selected manufacturing processes or materials, all errors in the material and structure which could subsequently lead to an impairment of the component, type approvals over and above the stated deviation from the drawing must be signed by the purchaser.



Winkelhohlstecker/  
90° angle hollow-plug  
ø1,35xø3,5x11mm±0,25mm



Rundleitung schwarz 3m ±10cm lang geschirmt/  
roundcable black 3m ±10cm long with shield

Technische Daten/ technical data : Steckerladegerät/ plug-in charger  
 Chemie/ chemistry : NiMH/NiCd  
 Zellenzahl/ no. of cells : 5 Zellen/ cells  
 ladbare Kapazität/ loadable capacity : min. 700mAh max. ----mAh  
 Eingangsspannung/ input voltage : 100V...240VAC ±10% / 50/60Hz  
 Eingangs-Schutz/ primary electrical protection : Sicherung T1.6A/ fuse  
 Leistungsaufnahme im Leerlauf/ stand-by power consumption : ca./ approx. 0.2W  
 Nenn-Leistungsaufnahme/ nominal power consumption : ca./ approx. 3W  
 Ableitstrom/ Leakage current : ---  
 Ausgangsspannung im Leerlauf/ no load output voltage : 14...16VDC  
 Nennausgangsspannung/ nominal output voltage : 9VDC (5 Zellen/ cells)  
 Nennladestrom/ nominal charge current : 100mA ±10% Konstantstrom/ constant current - 0V...9V  
 Ausgangs-Schutz/ secondary electrical protection : elektronisch gegen Kurzschluss, mechanisch gegen Verpolung/ electronical against short circuit, mechanical against wrong polarity  
 Akku-Vollerennung/ battery full detection : ---  
 Sicherheitstimer/ safety timer : ---  
 Spannungsfestigkeit/ electric strength : 4 kV Eingang/Ausgang primary/secondary  
 Schutzklasse/ protection class : II  
 Betriebstemperatur/ operating temperature : 0°C...+25°C  
 Lagertemperatur/ storage temperature : -25°C...+70°C

Nettogewicht/ net weight : 110g  
 Gehäuse/ case : Steckergehäuse, schwarz, Typ/ 3A03 plug-in housing, black, type  
 Gehäusematerial/ case material : ABS plastic  
 Leiterplattenmaterial/ pcb material : CEM1  
 Schutzart/ case protection : IP 20  
 Typenschild Vorderseite/ ratingplate front : ---  
 Typenschild Rückseite/ ratingplate back : schwarzer Aufkleber mit weißer Bedruckung/ black label with white printing  
 Anleitungen/ instructions : ---  
 Approbationen/ approvals : CE  
 Normen/ standards : IEC/EN 60335-1, IEC/EN60335-2-29  
 Anzeigen/ indicators : Betriebsanzeige LED rot power indicator LED red

Application range for inquiry IS-2014-00703		Allowable deviation general tolerances		Surface	Model:	Material:	
		DIN ISO 2768-m			Scale (DIN A2): 1:1	All dimensions in mm	
		2015	Date	Name	Drawing name		
		Drawn by	07.10.	SK	plug-in charger 9V/100mA		
		Approved by					
V1	label corrected	22.09.16	HM	Drawing number		Sheet	
V0	ratingplate updated	17.03.16	SK	Part number		2011-3010	
V0	---	07.10.15	SK			1/1	
Version	Change	Date	Name	Project: IS-2014-00703	Replaced by:	Replacement through:	

This drawing may not be copied, reproduced or made available to third parties in any way whatsoever without our prior written approval.