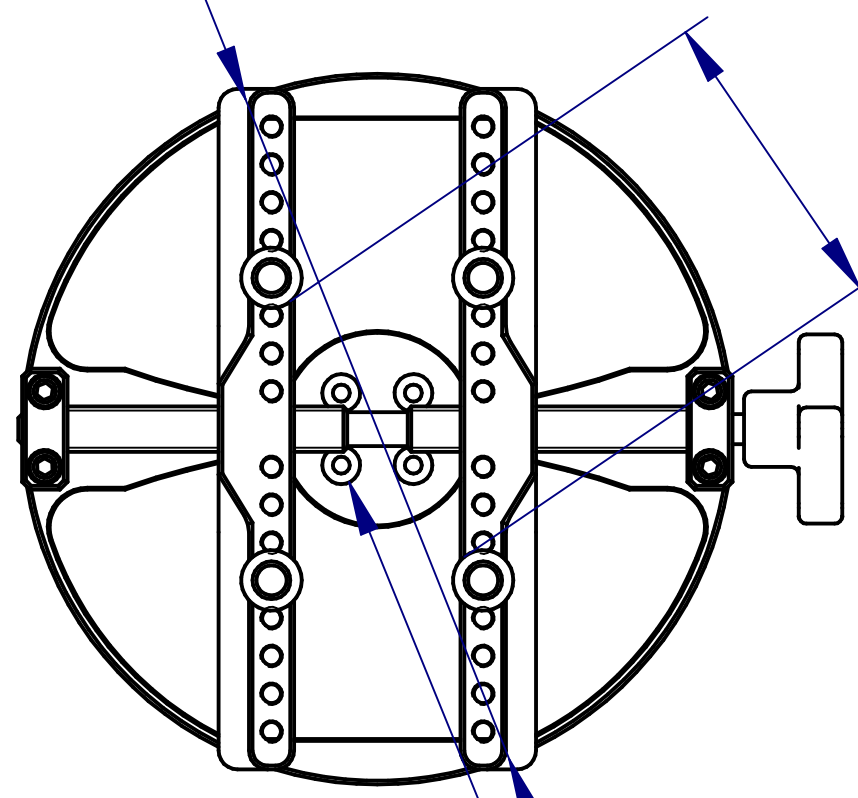
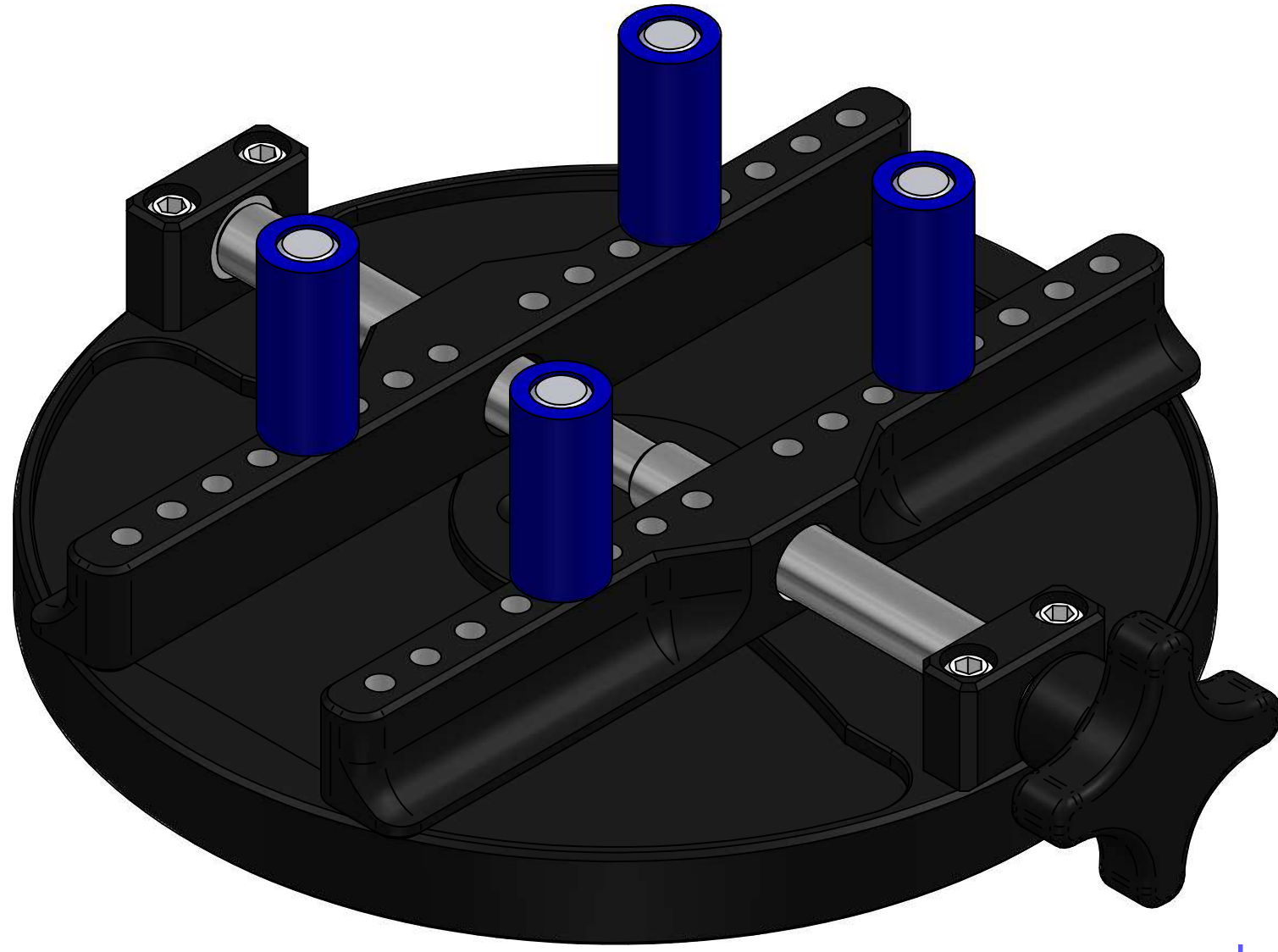


ALL DIMENSIONS ARE IN MILLIMETRES
FOLLOWED BY INCHES: MM (IN")

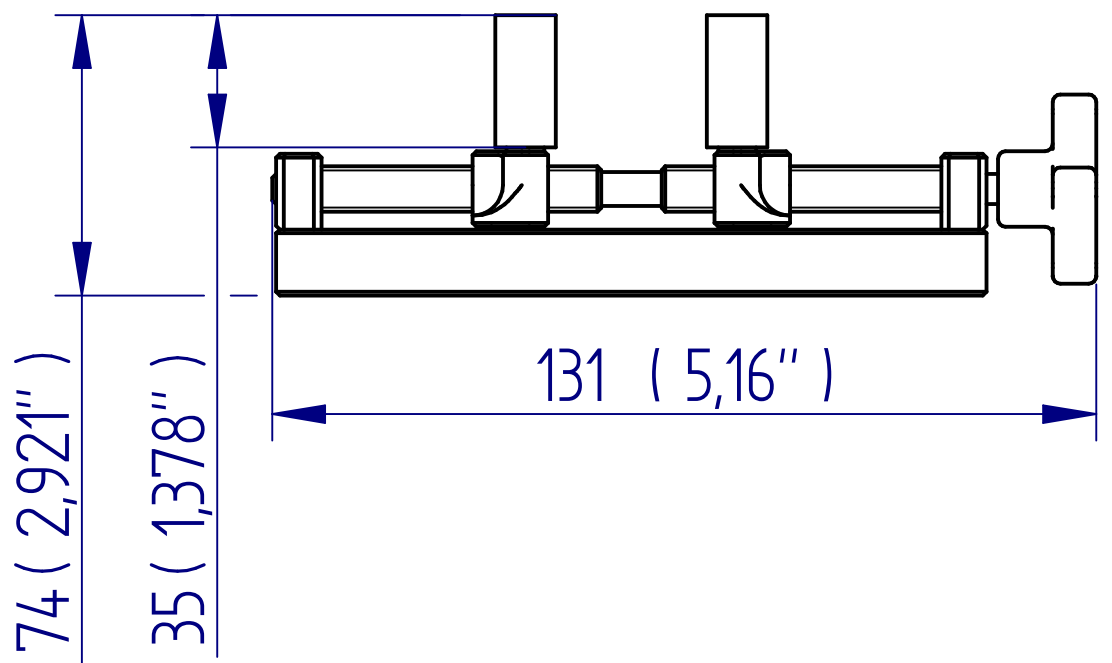
ϕ 100 (3.94")



Max ϕ 78 (3.07")
Min ϕ 10 (0.39")



4x ϕ 4,5 (0,177") HOLES



74 (2,921")

35 (1,378")

131 (5,16")

432-XXX Vortex Fixing Plates

DRAWING APPLIES TO PT NO:
432-321

1:2 @ A3

