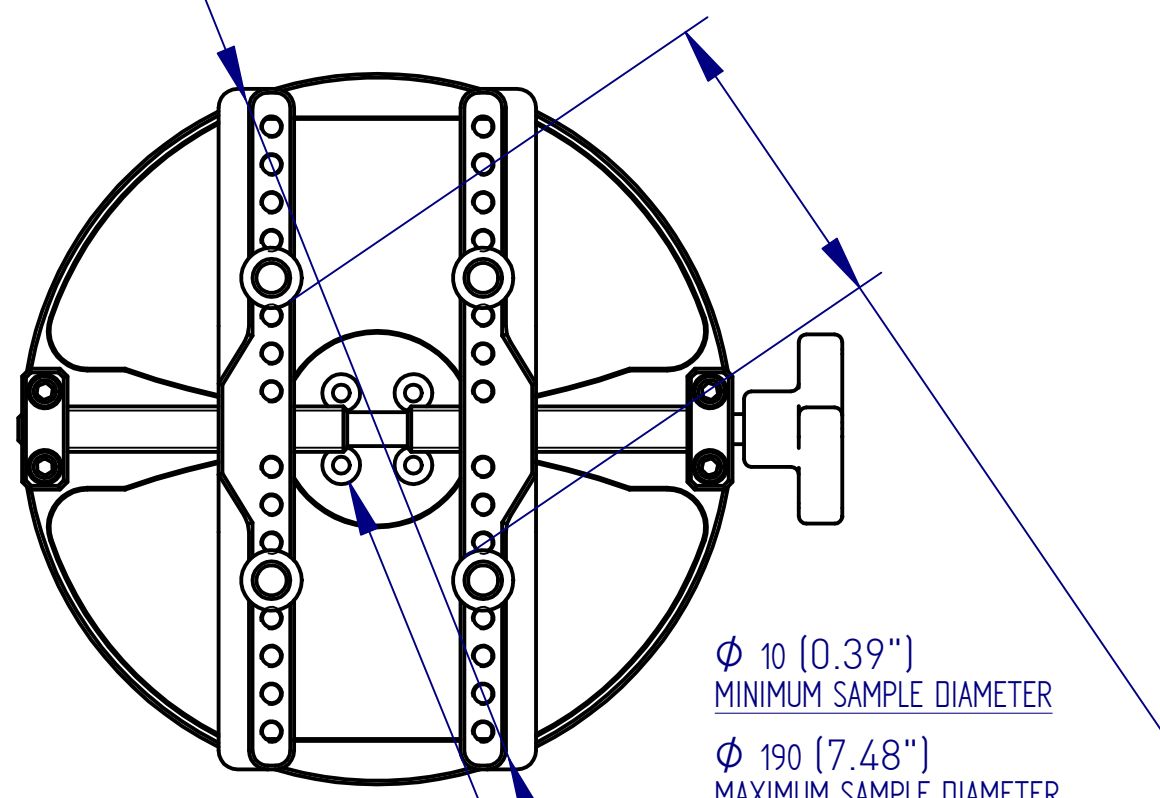


ALL DIMENSIONS ARE IN MILLIMETRES
FOLLOWED BY INCHES: MM (IN")

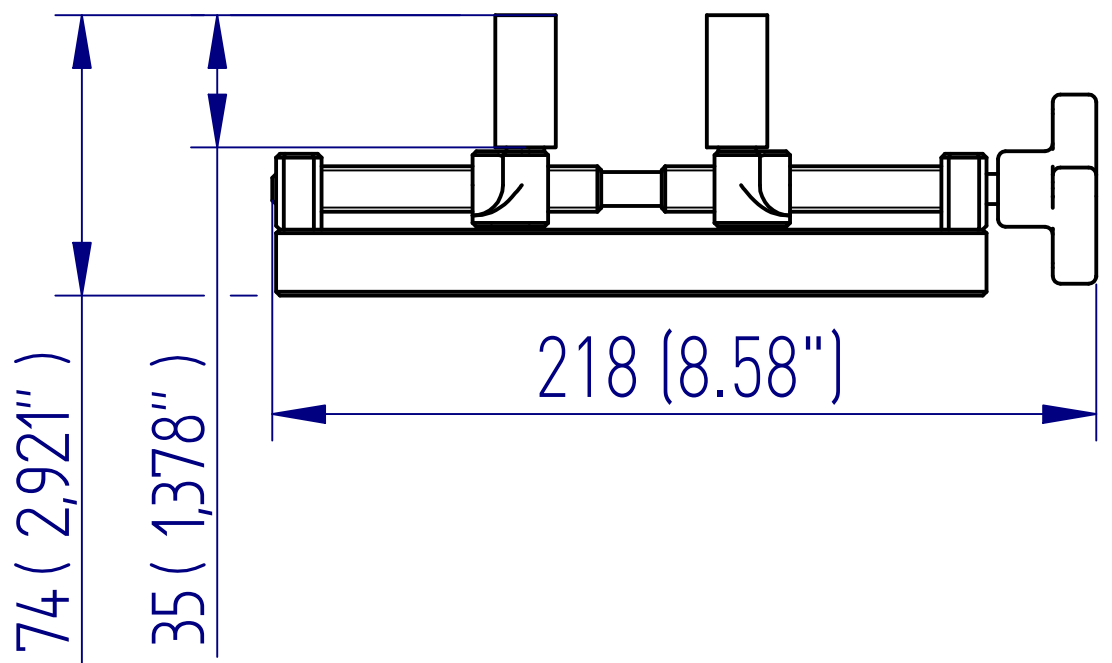
ϕ 100 (3.94")



ϕ 10 (0.39")
MINIMUM SAMPLE DIAMETER

ϕ 190 (7.48")
MAXIMUM SAMPLE DIAMETER

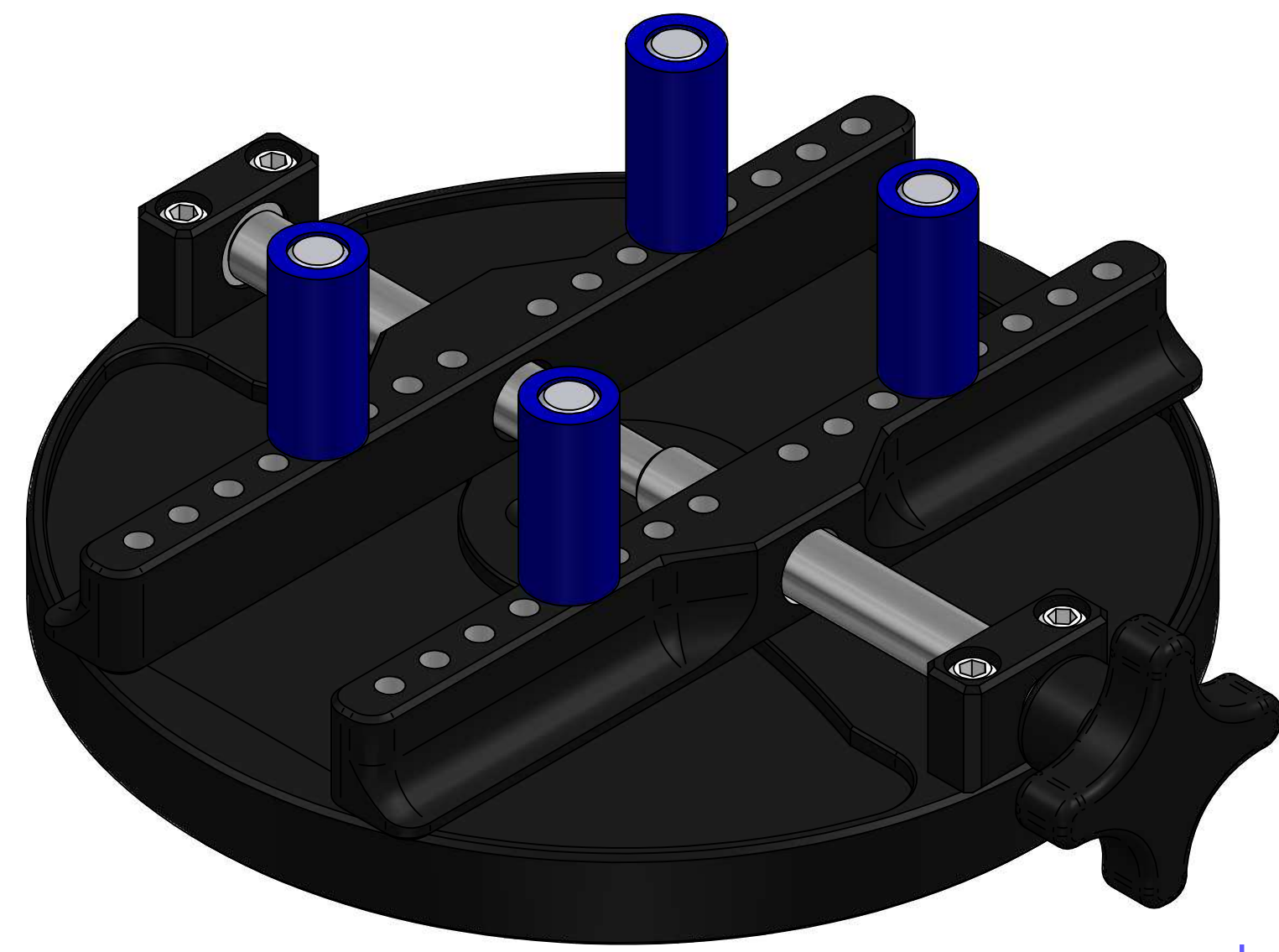
4x ϕ 4,5 (0,177") HOLES



74 (2,921")

35 (1,378")

218 (8.58")



432-XXX Vortex Fixing Plates

DRAWING APPLIES TO PT NO:
432-320 1:2 @ A3

