

2.5 kN U-Form Pneumatic Vice Grip, single actuator, QC fitting

Mec240g + Ko (single-actuator) – aluminium

Mec240g + 2Ko (dual-actuator) – aluminium

A highly versatile pneumatic grip for use in applications where material is sensitive to damage or slippage when clamped and the tensile force is significant.

- The Mec240g+Ko features an adjustable screw-driven rod allowing symmetrical and asymmetrical specimens to be positioned whilst the single-actuator applies the clamping force on the jaws.
- The Mec240g+2Ko features a dual actuator so the jaws always close symmetrically around the centre line. This removes the need to adjust the jaw position according to the specimen thickness; a great time-saver especially when testing soft specimens.

Adjustment of pneumatic pressure ensures a constant and reproducible clamping force is achieved to avoid 'jaw break' or slippage of specimens. Typically 7 bar pressure provides 2.6 kN clamping force on the specimen.

The 'U-Form' cut into the aluminium body of these Pneumatic Vice Grips creates the space for an operator to have specimen material below the jaws thereby facilitating loading and removal. An extensive collection of interchangeable, high-performance jaws with differing profiles provide excellent holding characteristics when tensile testing a variety of plastic, metal and textile materials.



Mec240g + Ko shown fitted with a half-set of Mec240g-BG rubber jaws'

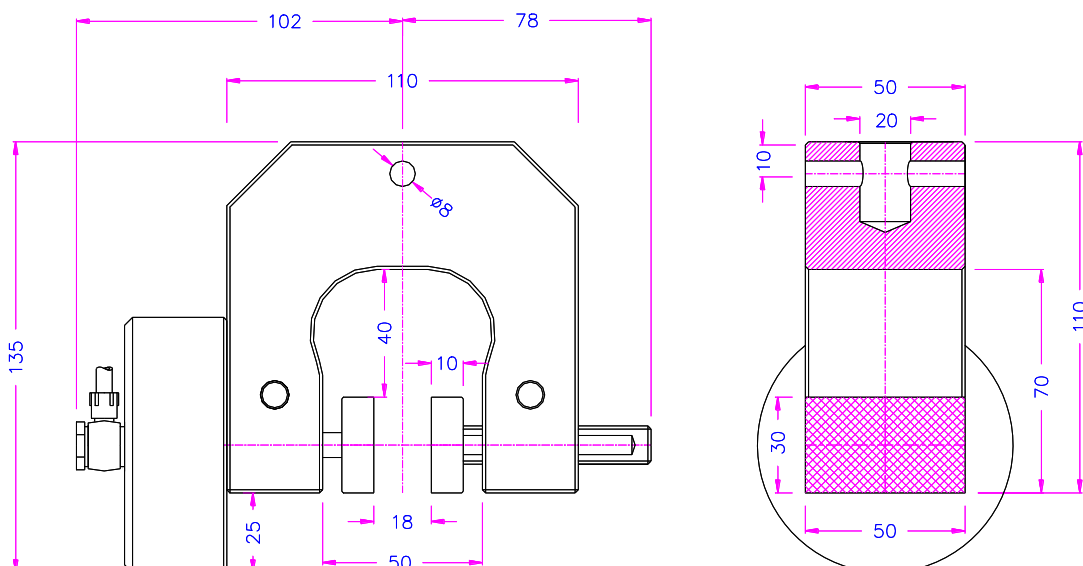


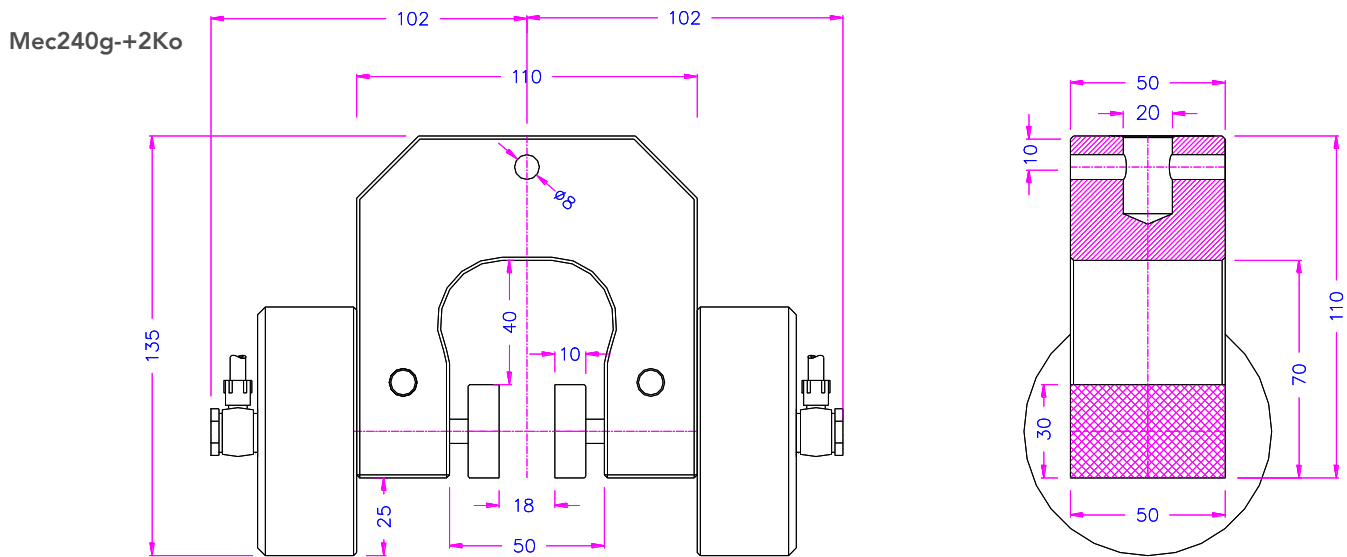
Mec 240g + 2Ko shown fitted with a half-set of Mec240g-BV2 V-jaws

Scope of delivery: 1 pair of grips supplied fitted with bore-hole to allow connection to QC-20 fixing post.

| Item No: | Mec240g + Ko | Mec240g + 2Ko |
|---------------------------------|--|----------------|
| Rated capacity: | 2.6 kN / 7 bar | 2.6 kN / 7 bar |
| Opening (depending on jaws): | 0-18 mm | 0-18 mm |
| Weight each grip(without jaws): | 1.55 kg | 1.93 kg |
| Pneumatic connection: | 1/8" – fits to tubes supplied with foot pedals (eg Mec205-1) | |

Mec240g+Ko





Note: Foot pedals (see overleaf) and jaws (see table below) must be ordered separately.

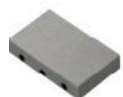
Jaws for Mec240g+Ko and Mec240g+2Ko: Scope of delivery 0.5 set = 2 jaws (left & right).
Order any combination of 2 half-sets of jaws to fit into a pair of 'Mec240g + Ko' or 'Mec240g + 2Ko' grips (upper & lower)

| Item no. | Surface | Clamping surface H x W | Jaw opening with rod L56.5 | Jaw opening with rod L51.5* | Weight per 0.5 set |
|---------------|--------------|---------------------------|-------------------------------|--------------------------------|-----------------------|
| Mec240g-B | Blank jaws | 30x50 mm | 0 - 18 mm | 10 - 28 mm | 0.22 kg |
| Mec240g-BG | Rubber jaws | 30x50 mm | 0 - 16 mm | 8 - 26 mm | 0.22 kg |
| Mec240g-BP | Pyramid jaws | 30x50 mm | 0 - 18 mm | 10 - 28 mm | 0.21 kg |
| Mec240g-BV2 | V-jaws | Height 30 mm | Ø 2 - 18 mm | Ø 12 - 28 mm | 0.22 kg |
| Mec240g-BV5 | V-jaws | Height 30 mm | Ø 5 - 18 mm | Ø 15 - 28 mm | 0.25 kg |
| Mec240g-BW | Wave jaws | 30x50 mm | 0 - 18 mm | 10 - 28 mm | 0.20 kg |
| Mec240g-BD | Diamond jaws | 30x50 mm | 0 - 18 mm | 10 - 28 mm | 0.22 kg |
| Mec240g-B80 | Blank jaws | 30x80 mm | 0 - 18 mm | 10 - 28 mm | 0.36 kg |
| Mec240g-BG80 | Rubber jaws | 30x80 mm | 0 - 16 mm | 8 - 26 mm | 0.37 kg |
| Mec240g-BP80 | Pyramid jaws | 30x80 mm | 0 - 18 mm | 10 - 28 mm | 0.34 kg |
| Mec240g-BW80 | Wave jaws | 30x80 mm | 0 - 18 mm | 10 - 28 mm | 0.33 kg |
| Mec240g-BD80 | Diamond jaws | 30x80 mm | 0 - 18 mm | 10 - 28 mm | 0.37 kg |
| Mec240g-B100 | Blank jaws | 30x100 mm | 0 - 20 mm | 10 - 28 mm | 0.46 kg |
| Mec240g-BG100 | Rubber jaws | 30x100 mm | 0 - 18 mm | 8 - 26 mm | 0.47 kg |
| Mec240g-BP100 | Pyramid jaws | 30x100 mm | 0 - 20 mm | 10 - 28 mm | 0.44 kg |
| Mec240g-BW100 | Wave jaws | 30x100 mm | 0 - 20 mm | 10 - 28 mm | 0.42 kg |
| Mec240g-BD100 | Diamond jaws | 30x100 mm | 0 - 20 mm | 10 - 28 mm | 0.46 kg |

* Not supplied as standard. Order L51.5 rod separately.

Blank jaws

- Applicable for own further treatments
- Steel blanks without coating



Rubber jaws

- 1 mm rubber coating (NBR)
- Nickel-plated



Pyramid jaws

- Pyramids 1.2x45°
- Hardened steel 58 HRC
- Nickel-plated



V-jaws

- For all kinds of round samples
- Tooth pitch 1 mm (BV5) or 0,8 mm (BV2)
- Hardened steel 58HRC
- Nickel-plated

Wave jaws

- For flexible materials
- Wave 5 mm
- Hardened steel 58HRC
- Nickel-plated

Diamond jaws

- Clamping surface coated with synthetic diamonds
- Nickel-plated



Mec240g-BV2



Mec240g-BV5

BV5 jaws fit well for samples with larger diameters

Accessories



Mec205-1 Foot pedals

Non-locking: The jaws of the grip open by pressing the foot pedal and close after removing the foot from the pedal. Scope of delivery: 1 pair of foot switches including tubes and fittings.



Mec205-2 Foot pedals

With locking function: The jaws of the grip open by pressing the foot pedal and remain opened after removing the foot from the pedal. The jaws close by pressing the pedal one more time. Scope of delivery: 1 pair of foot switches including tubes and fittings.



Mec205-.+PR Pressure regulator

Optional for Mec205-1 or Mec205-2 To adjust air pressure: 1-10 bar or 1-16 bar



Mec205-3 Hand switches

With locking function: The jaws of the grip close by pulling the handle and remain closed. The jaws open by pushing the handle back. Scope of delivery: 1 unit of hand switches including tubes and fittings.



Mec216 Compressor for laboratories, oil-lubricated

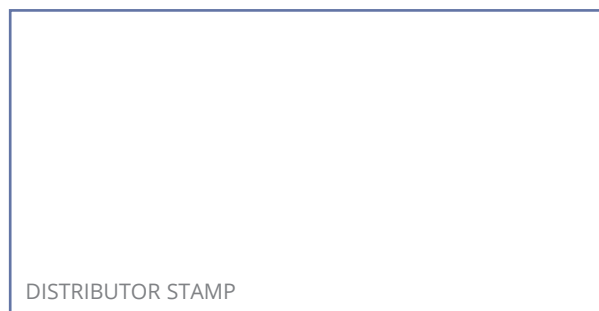
Max pressure 16 bar, 230 V, frequency 50 Hz, noise level: 38 dB (A)/1 m. Displacement 5 l/min, tank size 3.1 l (0.82 gallon) Dimensions: 382x300x334 mm (D x W x H); weight 24 kg Different voltages available on request.

For more information on QC fittings, refer to datasheet 431-354
Adapters for QC range of grips.



FS 58553

003



Mecmesin reserves the right to alter equipment specifications without prior notice.
E&OE

Head Office
Mecmesin Limited

w: www.mecmesin.com
e: sales@mecmesin.com

France
Mecmesin France

w: www.mecmesin.com/fr
e: contact@mecmesin.fr

Germany
Mecmesin GmbH

w: www.mecmesin.com/de
e: info@mecmesin.de

North America
Mecmesin Corporation

w: www.mecmesin.com
e: info@mecmesincorp.com

Asia
Mecmesin Asia Co., Ltd

w: www.mecmesin.com/th
e: sales@mecmesinasia.com

China
Mecmesin (Shanghai) Pte Ltd

w: www.mecmesin.com/zh
e: sales@mecmesin.cn