

Multi-Jaw Grip



Description

The multi-jaw grip is for grasping round or irregularly shaped items. By rotating the sleeve of the grip, the jaws can be opened and closed to achieve a secure grasp on a sample.

Applications

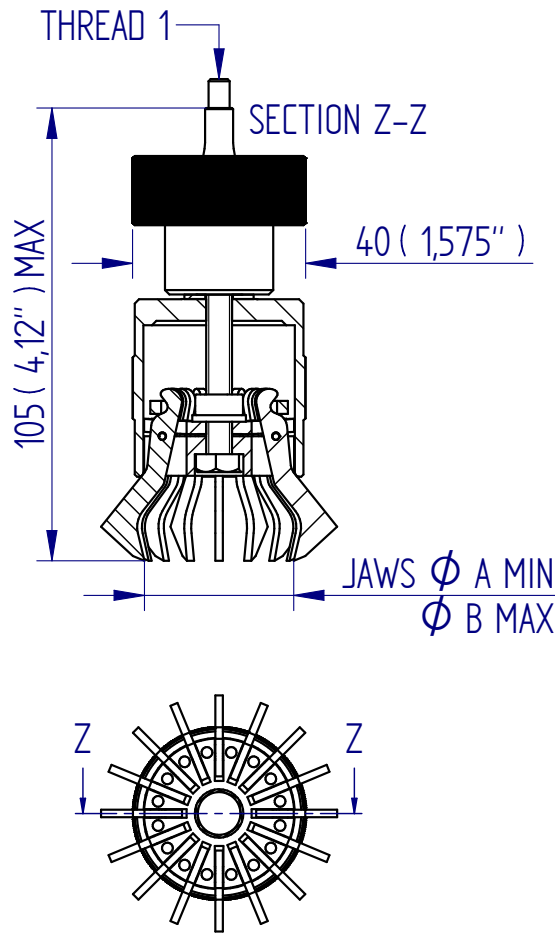
Used for tensile testing of:

- fasteners
- small components
- textiles

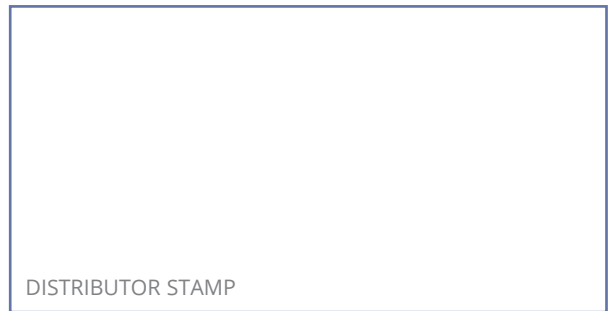
Specifications

Part No.	Load Capacity	Thread 1	Sample Min./Max. Ø	Length	Weight
432-215	500 N / 50 kgf / 110 lbf	M6	10 mm - 45 mm (0.39" - 1.77")	105 mm (4.12")	173 g (0.38 lb)
432-420	500 N / 50 kgf / 110 lbf	10/32 UNF	10 mm - 45 mm (0.39" - 1.77")	105 mm (4.12")	173 g (0.38 lb)

Dimensions mm



FS 58553



DISTRIBUTOR STAMP

Mecmesin reserves the right to alter equipment specifications without prior notice.
E&OE

Head Office
Mecmesin Limited

w: www.mecmesin.com
e: sales@mecmesin.com

France
Mecmesin France

w: www.mecmesin.com/fr
e: contact@mecmesin.fr

Germany
Mecmesin GmbH

w: www.mecmesin.com/de
e: info@mecmesin.de

North America
Mecmesin Corporation

w: www.mecmesin.com
e: info@mecmesincorp.com

Asia
Mecmesin Asia Co., Ltd

w: www.mecmesin.com/th
e: sales@mecmesinasia.com

China
Mecmesin (Shanghai) Pte Ltd

w: www.mecmesin.com/zh
e: sales@mecmesin.cn