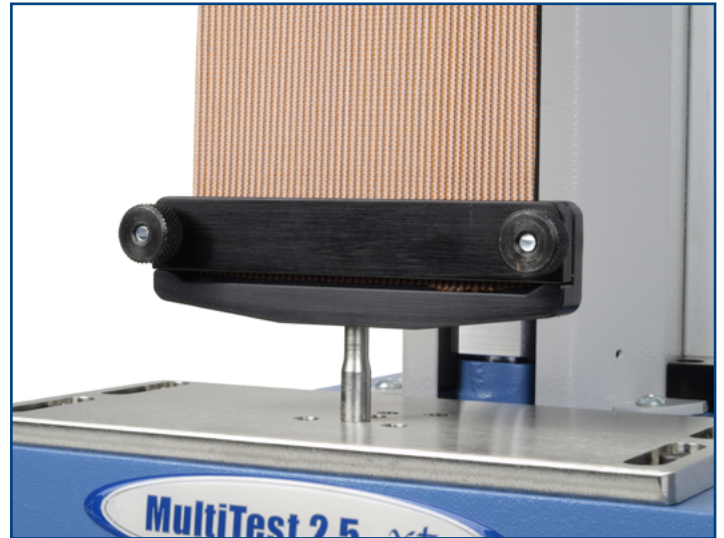


Fabric Grips



Description

Fabric grips are designed for tensile and elongation testing of fabric to a number of international strength standards. Two locking nuts at either side of the grip ensure the sample is clamped securely across its entire width during testing.

Supplied individually.

Applications

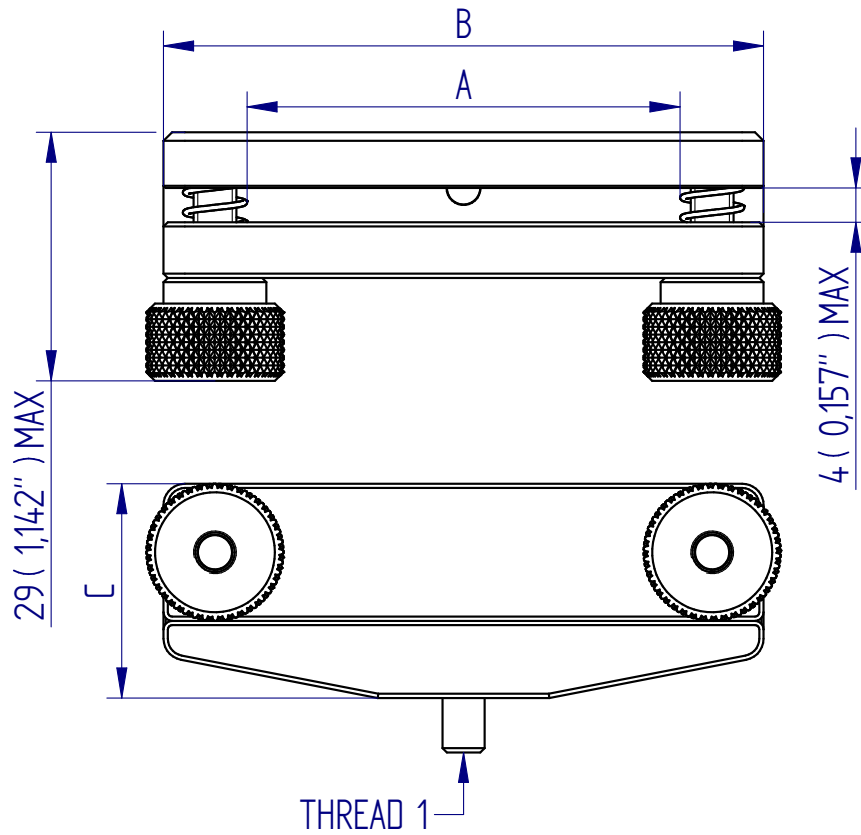
Used for tensile testing of:

- fabric
- textiles

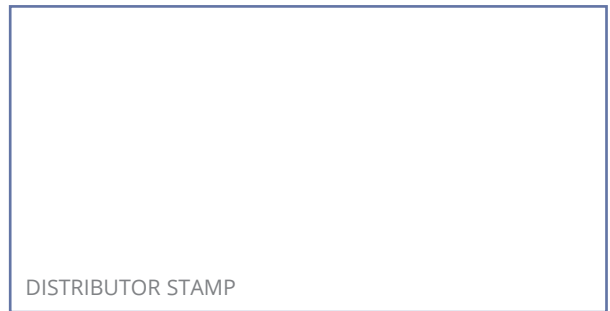
Specifications

Part No.	Load Capacity	Thread 1	Clamp Capacity	Max. Sample Width (A)	Length (C)	Weight
432-384	100 N / 10 kgf / 22 lbf	10-32 UNF	4 mm (0.16")	50 mm (1.97")	25 mm (0.98")	81 g (0.17 lb)
432-386	200 N / 20 kgf / 45 lbf	10-32 UNF	4 mm (0.16")	100 mm (3.97")	33 mm (1.30")	160 g (0.35 lb)

Dimensions mm



FS 58553



Mecmesin reserves the right to alter equipment specifications without prior notice.
E&OE

Head Office
Mecmesin Limited

w: www.mecmesin.com
e: sales@mecmesin.com

France
Mecmesin France

w: www.mecmesin.com/fr
e: contact@mecmesin.fr

Germany
Mecmesin GmbH

w: www.mecmesin.com/de
e: info@mecmesin.de

North America
Mecmesin Corporation

w: www.mecmesin.com
e: info@mecmesincorp.com

Asia
Mecmesin Asia Co., Ltd

w: www.mecmesin.com/th
e: sales@mecmesinasia.com

China
Mecmesin (Shanghai) Pte Ltd

w: www.mecmesin.com/zh
e: sales@mecmesin.cn