

100 N Miniature Vice-Grip, QC fitting

Versatile, easy to use. Suitable for small components (eg. bonded joints) where access space is very limited and tensile forces are below 100 N. Clamping surfaces are machined with pyramid-shaped serrations to ensure optimum gripping force.

The flexible chain-link connection allows easy access to fix the grip to components ensuring self-adjustment during testing. Supplied with adapter to allow connection to QC-20 fixing post

MecS341 Miniature Vice Grip (100 N)

• Item No.	MecS341
• Tensile force	100 N
• Opening	0 – 4 mm
• Jaws	Pyramid jaws (serrated), 0.6x45°
• Clamping surface HxW	5 x 6 mm
• Body	Hardened steel, phosphate coated
• Temperature range	0 to +130°C -70 to +280°C (MecS341-NI)
• Weight	95 Gram
• Scope of delivery	1 piece including chain & adapter



MecS341 with chain and adapter



Close-up of MecS341

Similar grips

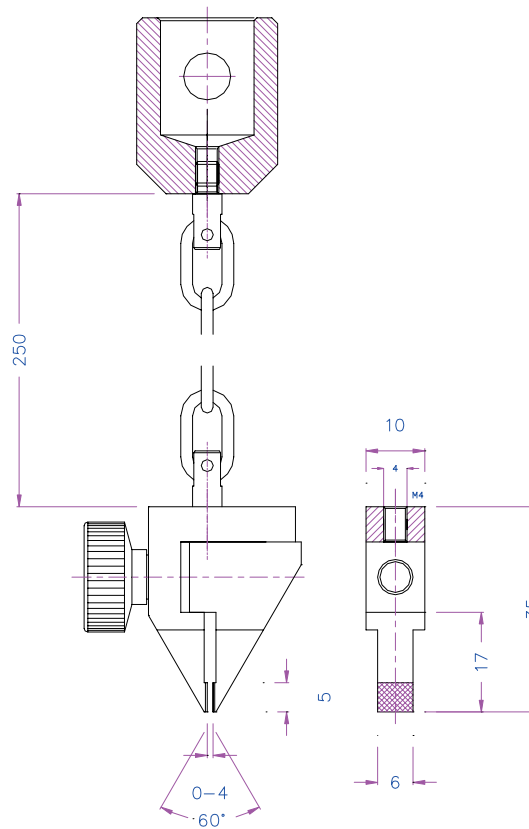


MecS470



MecS205k

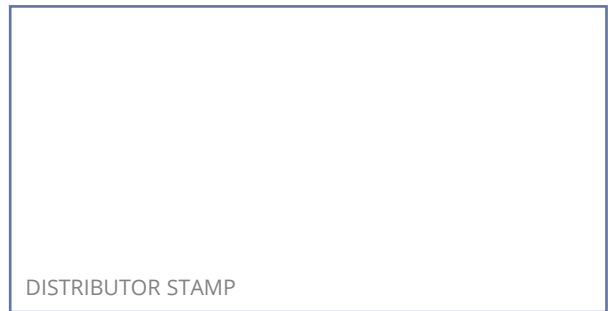
Dimensions mm (inch)



For more information on QC fittings, refer to datasheet 431-354
Adapters for QC range of grips.



FS 58553



Mecmesin reserves the right to alter equipment specifications without prior notice.
E&OE

Head Office
Mecmesin Limited

w: www.mecmesin.com
e: sales@mecmesin.com

France
Mecmesin France

w: www.mecmesin.com/fr
e: contact@mecmesin.fr

Germany
Mecmesin GmbH

w: www.mecmesin.com/de
e: info@mecmesin.de

North America
Mecmesin Corporation

w: www.mecmesin.com
e: info@mecmesincorp.com

Asia
Mecmesin Asia Co., Ltd

w: www.mecmesin.com/th
e: sales@mecmesinasia.com

China
Mecmesin (Shanghai) Pte Ltd

w: www.mecmesin.com/zh
e: sales@mecmesin.cn