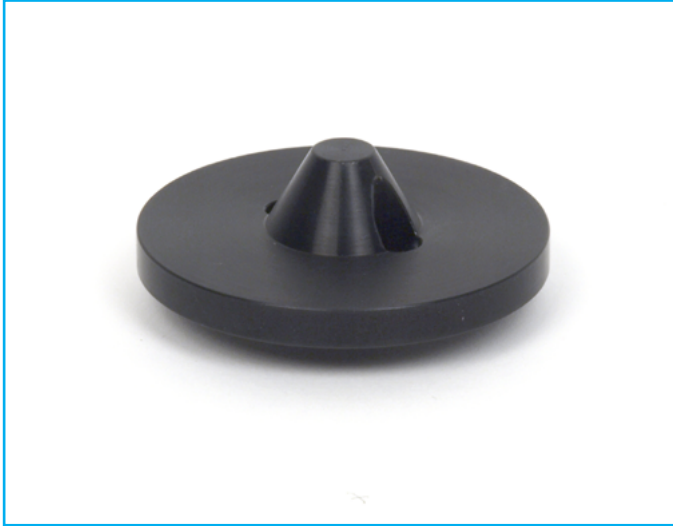


Vented Compression Plates



Description

Vented compression plates are ideal for top-load/crush testing of containers such as PET bottles. Two circular vents allow air to escape from the container during compression and an integrated nose cone helps to position containers centrally, minimising bottle slippage during testing. These compression plates are suitable for bottles with necks up to 50 mm (1.97") in diameter.

Supplied individually.

Applications

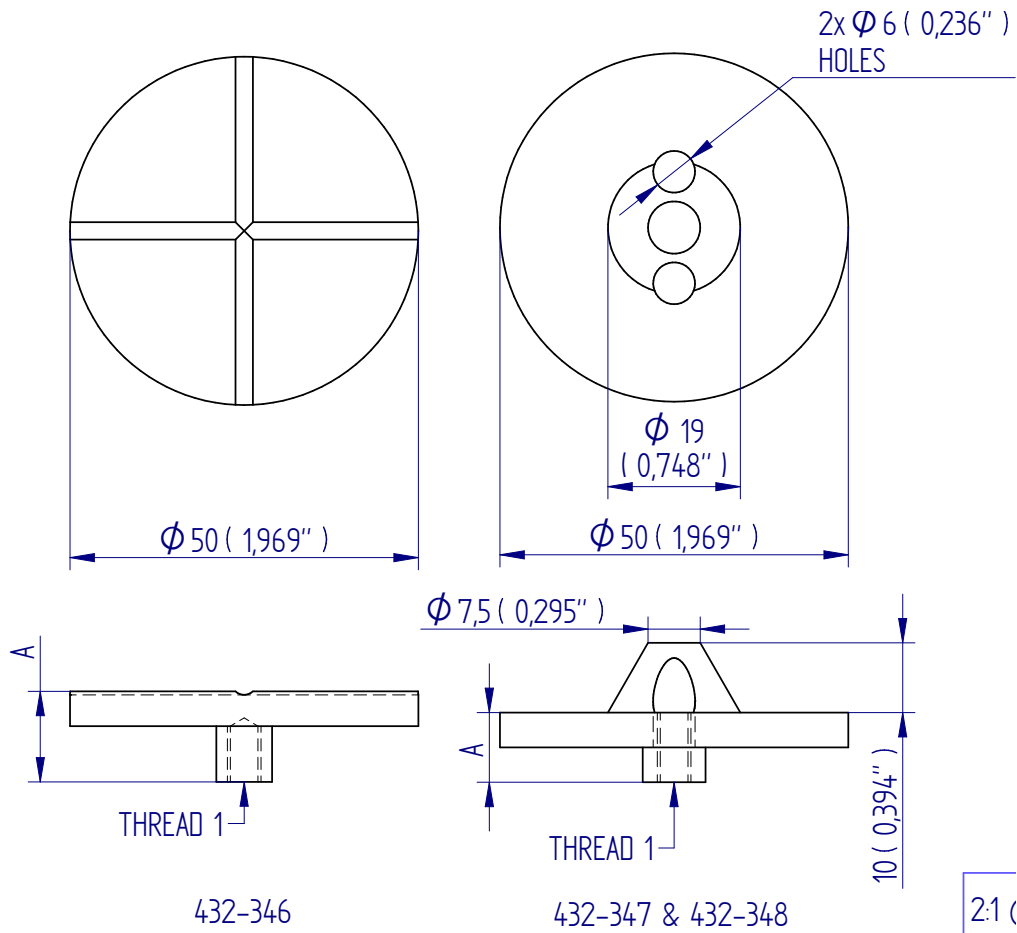
Used for compression testing of:

- plastic bottles
- PET containers

Specifications

Part No.	Load Capacity	Thread 1	Diameter Ø	Height (B)	Weight
432-346	5 kN / 500 kgf / 1100 lbf	10-32 UNF	50 mm (1.97")	13 mm (0.51")	50 g (0.11 lb)
432-347	5 kN / 500 kgf / 1100 lbf	10-32 UNF	50 mm (1.97")	20 mm (0.79")	50 g (0.11 lb)
432-348	5 kN / 500 kgf / 1100 lbf	5/16 UNC	50 mm (1.97")	22 mm (0.87")	50 g (0.11 lb)

Dimensions mm (inch)



DISTRIBUTOR STAMP

Mecmesin reserves the right to alter equipment specifications without prior notice.
E&OE

Head Office
Mecmesin Limited

w: www.mecmesin.com
e: sales@mecmesin.com

France
Mecmesin France

w: www.mecmesin.com/fr
e: contact@mecmesin.fr

Germany
Mecmesin GmbH

w: www.mecmesin.com/de
e: info@mecmesin.de

North America
Mecmesin Corporation

w: www.mecmesin.com
e: info@mecmesincorp.com

Asia
Mecmesin Asia Co., Ltd

w: www.mecmesin.com/th
e: sales@mecmesinasia.com

China
Mecmesin (Shanghai) Pte Ltd

w: www.mecmesin.com/zh
e: sales@mecmesin.cn