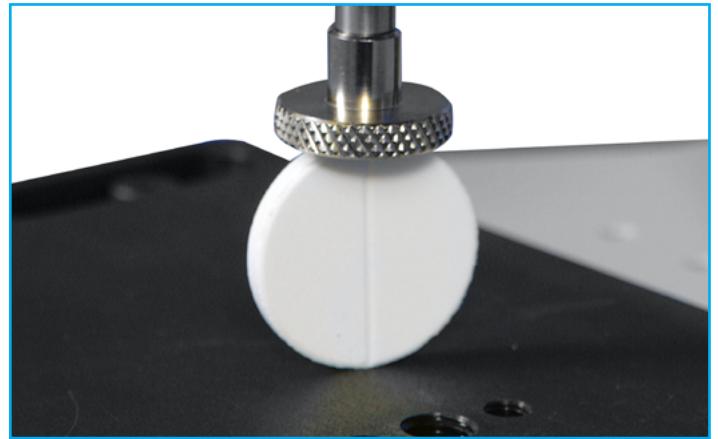


Nickel Plated Compression Plates



Description

Nickel plated compression plates are resistant to rusting.

Supplied individually.

Applications

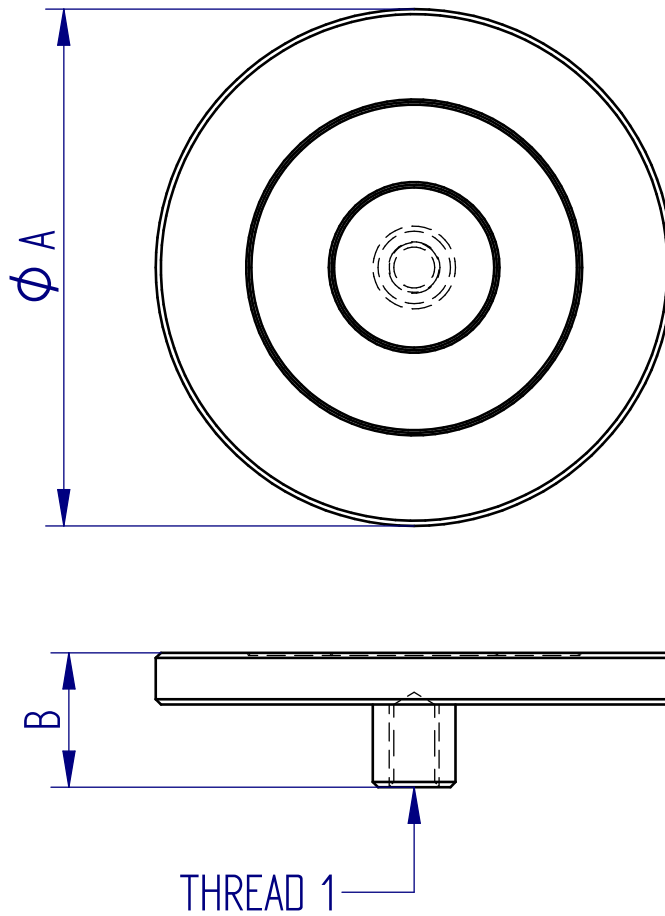
Used for compression testing of:

- metals
- mortar
- cement
- plaster

Specifications

Part No.	Load Capacity	Thread 1	Diameter (ØA)	Height (B)	Weight
432-119	5 kN / 500 kgf / 1100 lbf	10-32 UNF	12 mm (0.47")	12 mm (0.47")	6 g (0.01 lb)
432-188-F95	5 kN / 500 kgf / 1100 lbf	M6	12 mm (0.47")	12 mm (0.47")	5 g (0.01 lb)
432-121	5 kN / 500 kgf / 1100 lbf	10-32 UNF	19 mm (0.75")	16 mm (0.63")	12 g (0.03 lb)
432-125	5 kN / 500 kgf / 1100 lbf	5/16 UNC	19 mm (0.75")	19 mm (0.75")	17 g (0.04 lb)
432-005	5 kN / 500 kgf / 1100 lbf	M6	19 mm (0.75")	16 mm (0.63")	10 g (0.02 lb)
432-343	5 kN / 500 kgf / 1100 lbf	10-32 UNF	50 mm (1.97")	13 mm (0.51")	79 g (0.17 lb)
432-344	5 kN / 500 kgf / 1100 lbf	5/16 UNC	50 mm (1.97")	16 mm (0.63")	84 g (0.19 lb)

Dimensions mm (inch)



DISTRIBUTOR STAMP

Mecmesin reserves the right to alter equipment specifications without prior notice.
E&OE

Head Office
Mecmesin Limited

w: www.mecmesin.com
e: sales@mecmesin.com

North America
Mecmesin Corporation

w: www.mecmesin.com
e: info@mecmesincorp.com

France
Mecmesin France

w: www.mecmesin.com/fr
e: contact@mecmesin.fr

Asia
Mecmesin Asia Co., Ltd

w: www.mecmesin.com/th
e: sales@mecmesinasia.com

Germany
Mecmesin GmbH

w: www.mecmesin.com/de
e: info@mecmesin.de

China
Mecmesin (Shanghai) Pte Ltd

w: www.mecmesin.com/zh
e: sales@mecmesin.cn