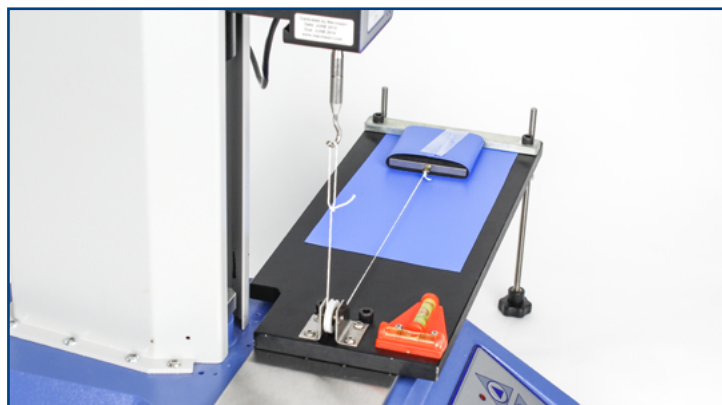
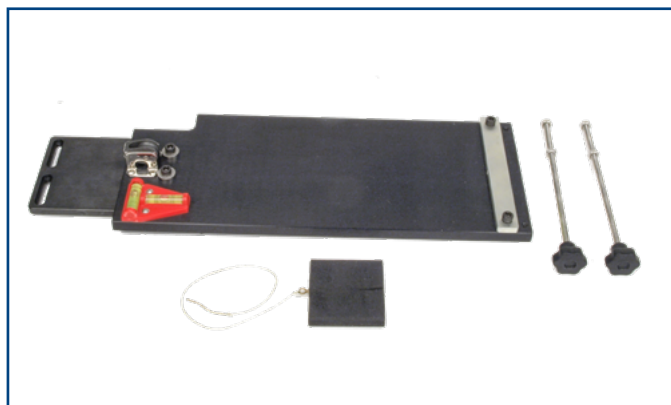


Coefficient of Friction Fixture



Description

The Coefficient of Friction Fixture is designed to measure the coefficient of friction between two pieces of material (usually plastic film) when pulled at a constant speed with a fixed pressure between the surfaces. The fixture consists of a long flat bed and a sled. The bed is mounted to a fixing plate suitable for use with Mecmesin tensile testers. The sled is moved along the bed by the movement of the tensile testing machine. The sled connects to the load cell via a thread passing over a low friction pulley. The sled speed is therefore identical to the speed of the tensile tester with the friction load being measured directly by the loadcell.

The bed has a clamping plate at the rear to hold the specimen material securely in place during the test. For additional stability the specimen material may also be taped to the bed if required. The sled is wrapped in a sponge rubber and designed to give the correct pressure between the two halves of the sample as defined by the relevant standard. Specimen material is fixed to the sled using conventional or double-sided adhesive tape.

A bi-directional spirit level and adjustable feet allow the bed to be levelled thereby ensuring that specimens are tested in a completely horizontal plane.

Applications

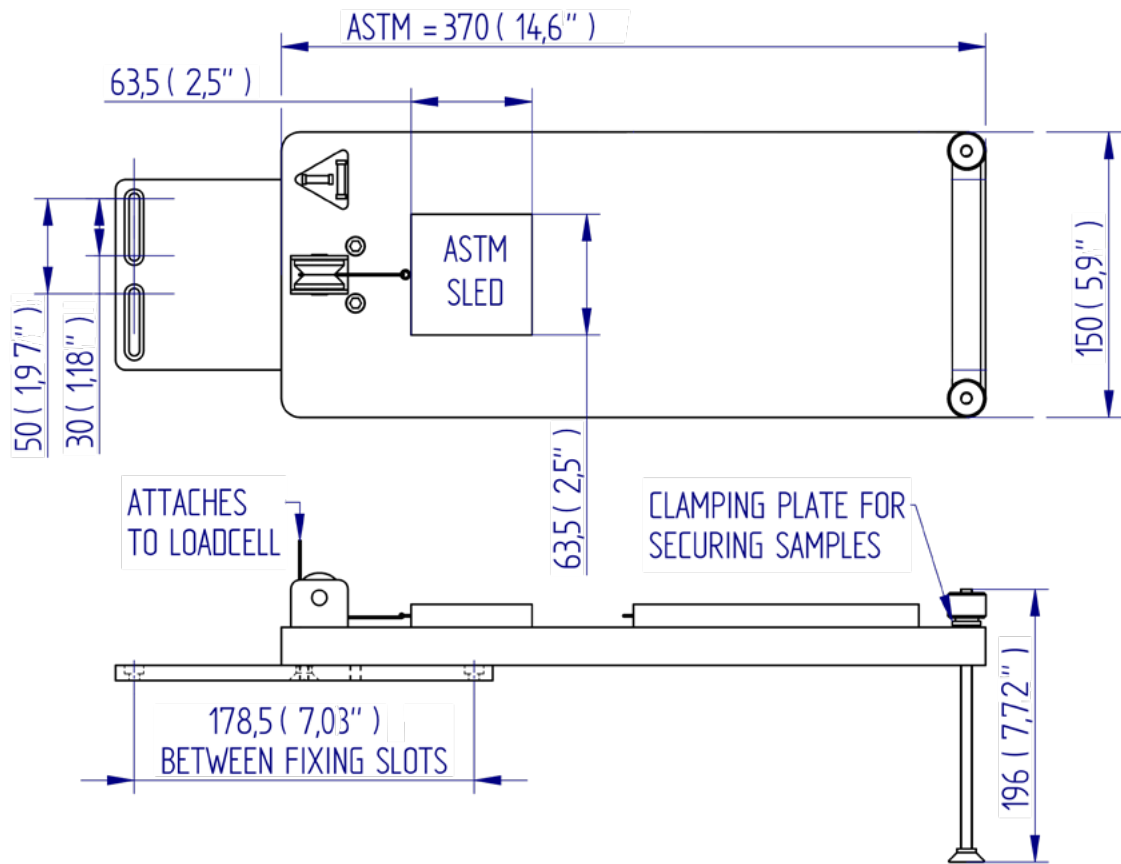
Used for friction testing primarily of plastic films, sheets, foils and paper.

Specifications

Part No.	Standard	Sled Dimensions		Sled mass	Bed length
432-144	ASTM D1894	63 x 63 mm	2.5 x 2.5" (nominal)	200g ± 5g	370 mm (14.6")
432-501	ISO 8295	63 x 63 mm	2.5 x 2.5" (nominal)	200g ± 2g	370 mm (14.6")

Dimensions mm

DRAWING IS INDICATIVE ONLY



FS 58553

DISTRIBUTOR STAMP

Mecmesin reserves the right to alter equipment specifications without prior notice.
E&OE

Head Office
Mecmesin Limited

w: www.mecmesin.com
e: sales@mecmesin.com

France
Mecmesin France

w: www.mecmesin.com/fr
e: contact@mecmesin.fr

Germany
Mecmesin GmbH

w: www.mecmesin.com/de
e: info@mecmesin.de

North America
Mecmesin Corporation

w: www.mecmesin.com
e: info@mecmesincorp.com

Asia
Mecmesin Asia Co., Ltd

w: www.mecmesin.com/th
e: sales@mecmesinasia.com

China
Mecmesin (Shanghai) Pte Ltd

w: www.mecmesin.com/zh
e: sales@mecmesin.cn