

Hardened and Ground Compression Plates



Description

Hardened and ground compression plates have a smooth, scratch-proof surface ideal for compression testing on samples that could damage a standard compression plate, such as metal springs.

Supplied individually.

Applications

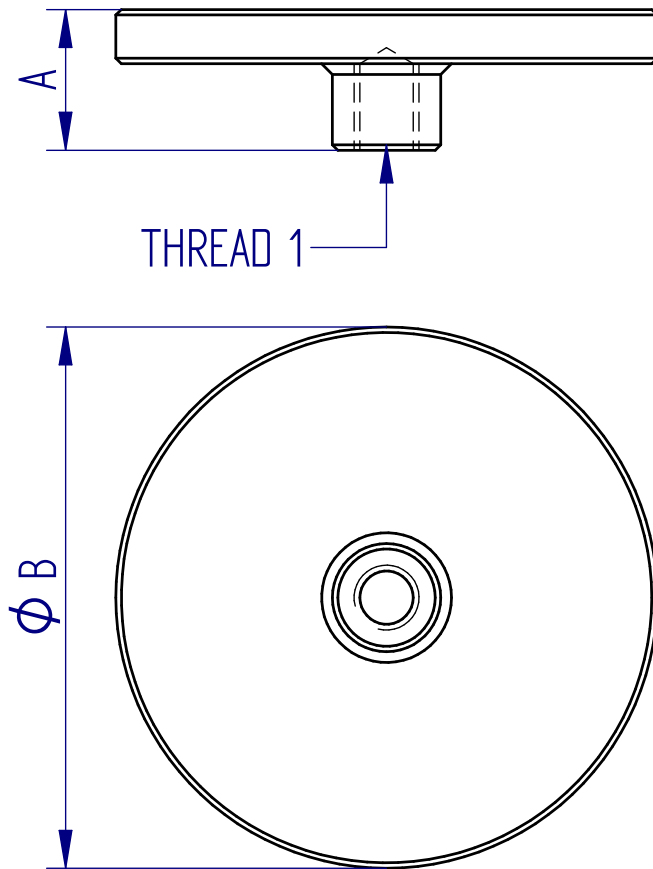
Used for compression testing of:

- springs
- bottles
- cans
- polymer foams

Specifications

Part No.	Load Capacity	Thread 1	Diameter (ØA)	Height (B)	Weight
432-197	5 kN / 500 kgf / 1100 lbf	M6	50 mm (1.97")	13 mm (0.51")	—
432-336	5 kN / 500 kgf / 1100 lbf	10-32 UNF	12 mm (0.47")	12 mm (0.47")	6 g (0.01 lb)
432-337	5 kN / 500 kgf / 1100 lbf	10-32 UNF	19 mm (0.75")	12 mm (0.47")	12 g (0.03 lb)
432-338	5 kN / 500 kgf / 1100 lbf	5/16 UNC	70 mm (2.76")	20 mm (0.79")	301 g (0.66 lb)
432-341	5 kN / 500 kgf / 1100 lbf	5/16 UNC	100 mm (3.94")	20 mm (0.79")	624 g (1.37 lb)
432-446	5 kN / 500 kgf / 1100 lbf	5/16 UNC	175 mm (6.89")	20 mm (0.79")	2 kg (4.41 lb)
432-172-F95	5 kN / 500 kgf / 1100 lbf	10-32 UNF	50 mm (1.97")	13 mm (0.51")	—

Dimensions



FS 58553

DISTRIBUTOR STAMP

Mecmesin reserves the right to alter equipment specifications without prior notice.
E&OE

Head Office
Mecmesin Limited

w: www.mecmesin.com
e: sales@mecmesin.com

France
Mecmesin France

w: www.mecmesin.com/fr
e: contact@mecmesin.fr

Germany
Mecmesin GmbH

w: www.mecmesin.com/de
e: info@mecmesin.de

North America
Mecmesin Corporation

w: www.mecmesin.com
e: info@mecmesincorp.com

Asia
Mecmesin Asia Co., Ltd

w: www.mecmesin.com/th
e: sales@mecmesinasia.com

China
Mecmesin (Shanghai) Pte Ltd

w: www.mecmesin.com/zh
e: sales@mecmesin.cn